

PAMS Technical Documentation

NSM-2 Series Transceivers

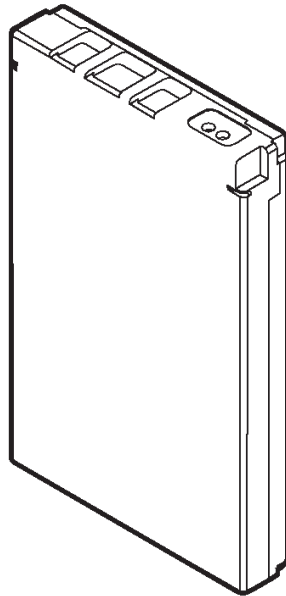
Non Serviceable Accessories

CONTENTS

Standard Battery BLB-2	3
Product Code	3
AC Travel Charger ACP-7	4
Product Codes	4
Specification	4
Performance Travel Charger ACP-8	5
Product Codes	5
Specification	5
Desktop Stand DCV-1	6
Product Code	6
Specification	6
Cigarette Lighter Charger LCH-8	7
Product Code	7
Specification	7
Cigarette Lighter Charger LCH-9	8
Product Code	8
Specification	8
Plug and Play Hands Free Cigarette Charger PPH-1	9
Product Code	9
Specification	9
Handsfree Microphone HFM-8	10
Product Code	10
Headset HDC-5	11
Product Code	11
Loopset LPS-3	12
Product Code	12
Recommended Batteries	12
Holster HHC-4	13
Product Code	13
Swivel Mount HHS-12	14
Product Code	14

Standard Battery BLB-2

The BLB-2 is a Li-ion battery with 650 mAh capacity in white plastic package.

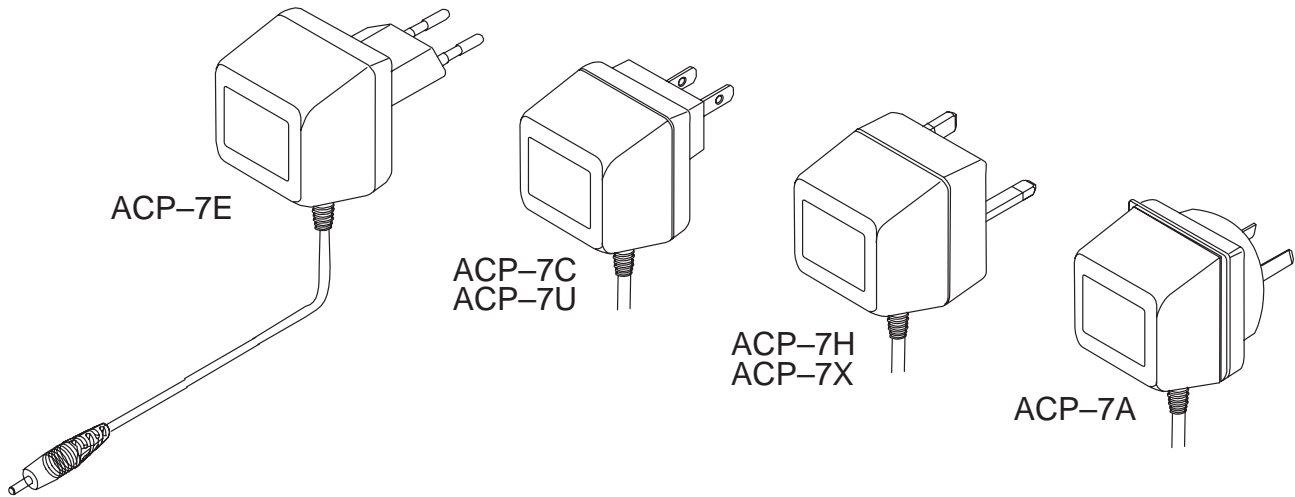


Product Code

Battery pack BLB-2: 0670246

AC Travel Charger ACP-7

The standard charger is available for different voltage levels and comes with different wall plugs. The standard charger can also be used as a power supply for the desktop stand.



S0001160

Product Codes

AC Travel Charger (Euro plug) 207–253 Vac
AC Travel Charger (US plug) 108–132 Vac
AC Travel Charger (US plug) 198–242 Vac
AC Travel Charger (UK plug) 207–253 Vac
AC Travel Charger (UK plug) 180–220 Vac
AC Travel Charger (Australia) 216–264 Vac

ACP-7E 0675144
ACP-7U 0675143
ACP-7C 0675158
ACP-7X 0675145
ACP-7H 0675146
ACP-7A 0675148

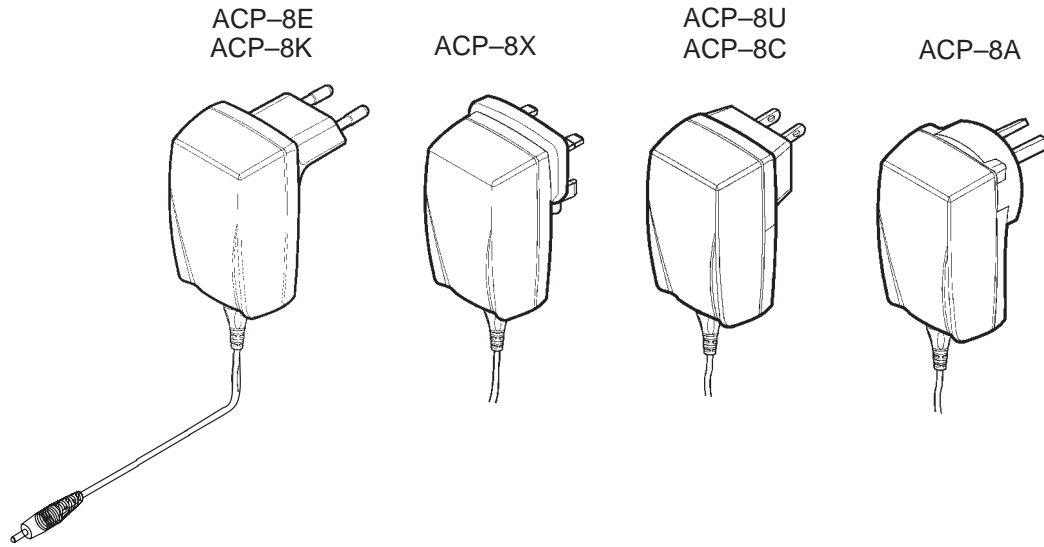
Specification

Output connectors:	3.5 mm DC plug, 2-pole
Protection:	PTC protection
Output Voltage /Current (typ)	7.6 V / 370 mA

Performance Travel Charger ACP-8

Operating within the voltage range 90 V...264 V AC (50 Hz...60 Hz), the Performance Travel Charger is practically current independent in normal office and household use. Like the standard charger, it is compatible with all battery options and is available for different wall sockets.

The Performance Travel Charger can also be used with desktop stand.



Product Codes

Performance Travel Charger	Euro plug 90-264 Vac	ACP-8E	0675195
Performance Travel Charger	Korea plug 90-264 Vac	ACP-8K	0675199
Performance Travel Charger	UK plug 90-264 Vac	ACP-8X	0675197
Performance Travel Charger	US plug 90-264 Vac	ACP-8U	0675196
Performance Travel Charger	China plug 90-264 Vac	ACP-8C	0675211
Performance Travel Charger	Australia plug 90-264 Vac	ACP-8A	0675214

Specification

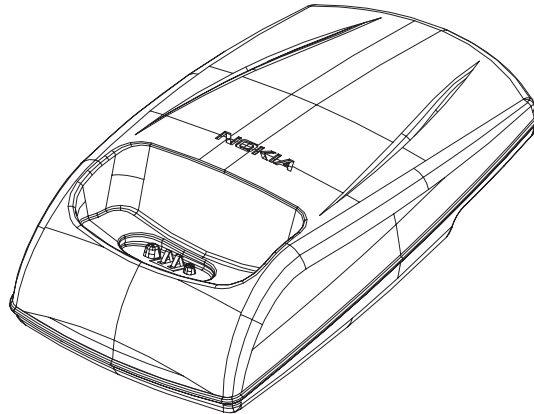
Output connectors: 3.5 mm DC plug, 2-pole (+, -, control)

Protection: Output fault voltage 16 V max.

Output voltage/current (typ): 6.0 V (± 0.3 V)/620 mA

Desktop Stand DCV-1

The desktop stand provides mounting place for charging battery with transceiver.



Product Code

Desktop stand DCV-1: 0675203

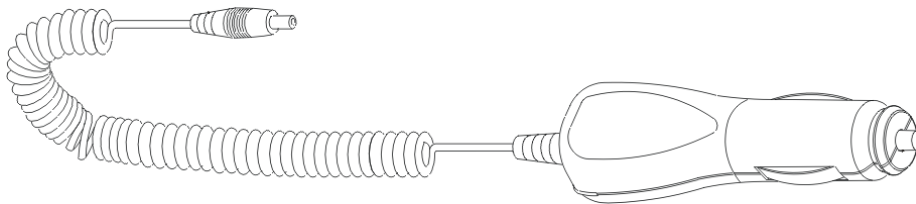
Specification

Connections: 3.5 mm DC jack (ACP-7 or ACP-8)

Cigarette Lighter Charger LCH-8

A green light indicates that the cigarette lighter charger is ready for charging. Check the charging status on the phone display. The main use is with 12V vehicle system. It is using 3-wire charging structure (controlled constant voltage). It has internal output current limitation of 650mA.

The car battery connectors must perform reliable electrical connection to the cigarette lighter socket.



Product Code

Cigarette lighter charger LCH-8: 0675231

Specification

Output connectors: 3.5 mm DC plug, 3 pin.

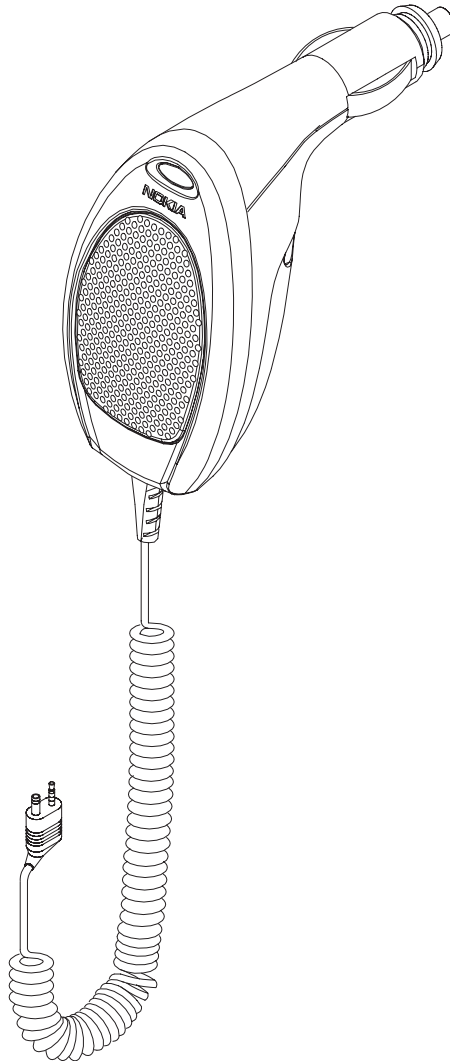
Protection: *input fused, output current limit 650 mA*

Voltage

- input: 10.8...32 V
- output: The output voltage is controlled by the phone via 3:rd wire.

Plug and Play Hands Free Cigarette Charger PPH-1

The PPH-1 provides rapid charging for the phone and possibility for HF operation. The PPH-1 plug and play handsfree unit is connected directly to the cigarette lighter in a car. PPH-1 is connected to Mobile phone with the cable. The cable has combined connector with charger – and headset connectors.



Product Code

Headset PPH-1: *0675182*

Specification

Output connectors: 3.5 mm DC plug, 2-pole (+, -, control)

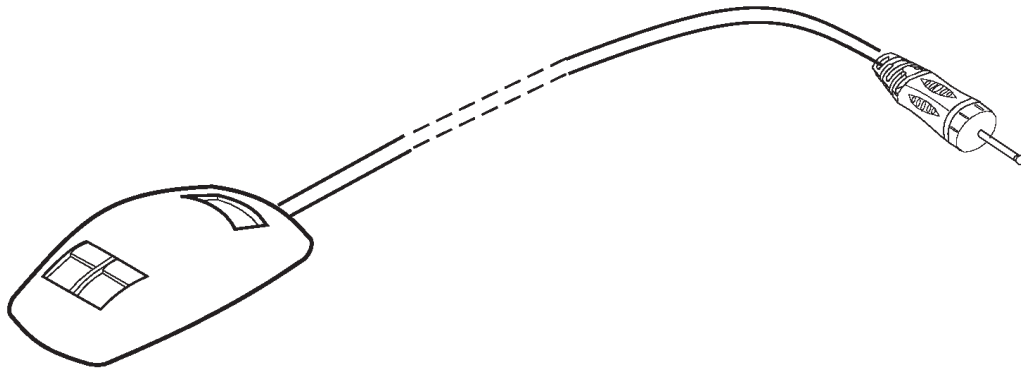
Input voltage: 8-16VDC

Protection: Output fault voltage 16 V max.

Output current: 750 mA max.

Handsfree Microphone HFM-8

The HFM-8 microphone can be used together with PPH-1 plug and play handsfree unit.

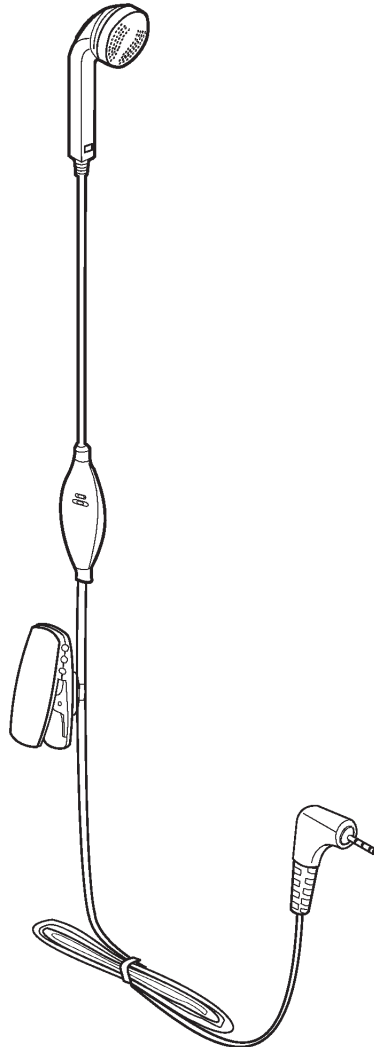


Product Code

Handsfree microphone HFM-8: *0690016*

Headset HDC-5

The HDC-5 headset provides a also hook switch for the phone/micro-
phone.



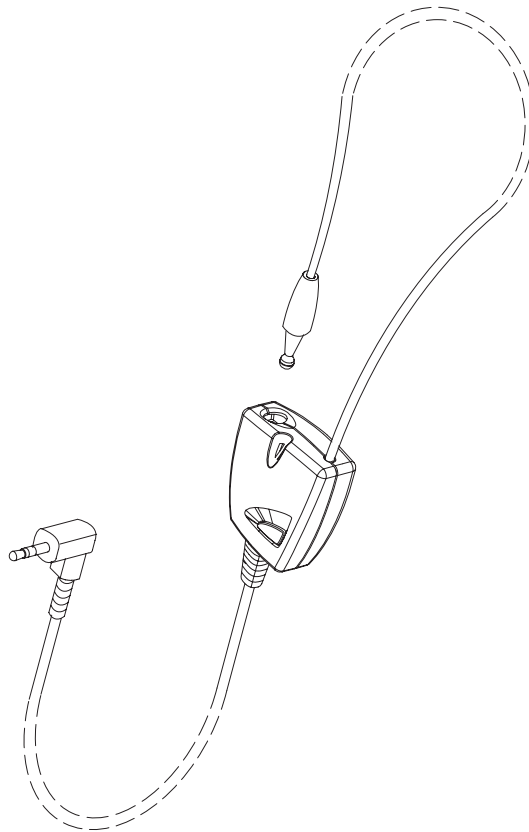
Product Code

Headset HDC-5:

0694059

Loopset LPS-3

Loopset LPS-3 has been developed for hearing aid users to allow them to use mobile phones. It is based on induction technology. All hearing aids have support for induction loop, ie. they have a little telecoil inside. This coil can capture the signal supplied to the loop. Standard hearing aids have two operation modes; M-mode for normal microphone use and T-mode for telecoil use.



Product Code

Loopset LPS-3: 0630244

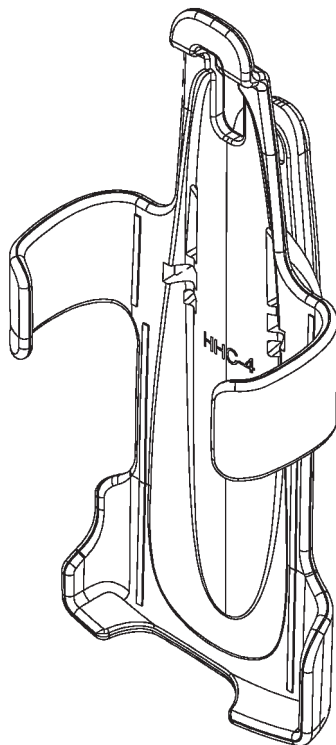
Recommended Batteries

Type	Size / IEC-type	Rated capacity	Talk time (3mA load)	Standby (20uA load)
Zinc Air Hearing Aid Battery	675 / PR44	540 mAh	180 hour.	840 hour or 35 day (1)
Silver Oxide Hearing Aid Battery	675 / SR44	150 mAh	50 hour.	7 500 hour or 310 day.
Alkaline Battery	675 / LR44	110 mAh	36 hour.	5 500 hour or 230 day.

Note (1): The capacity of the zinc air battery will fall 20% in a month. After the activation the zinc air battery begins to self-discharge. The battery will be empty within 5 weeks.

Holster HHC-4

Holster HHC-4 provides an easy, single handed picking and placing of the phone.



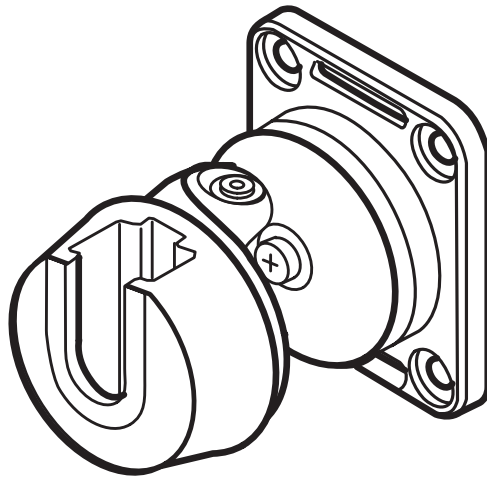
Product Code

Holster HHC-4:

0720190

Swivel Mount HHS-12

The HHS-12 Swivel Mount is a mount that allows the Mobile Holder (HHC-4) to be adjusted.



Product Code

Swivel Mount HHS-12:

0620054